

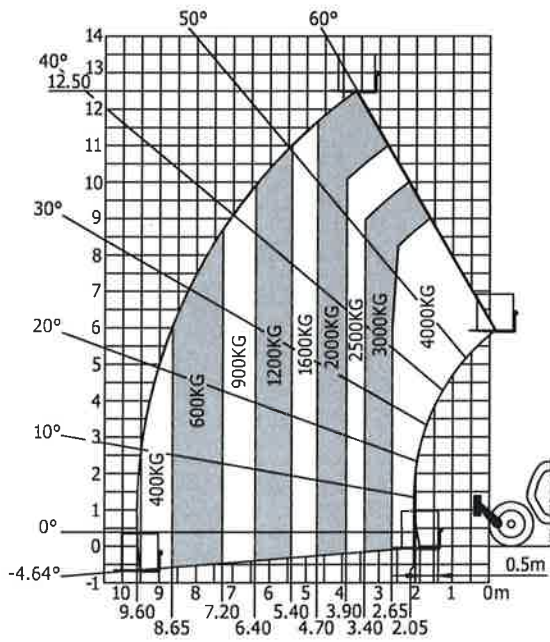
MT 1840



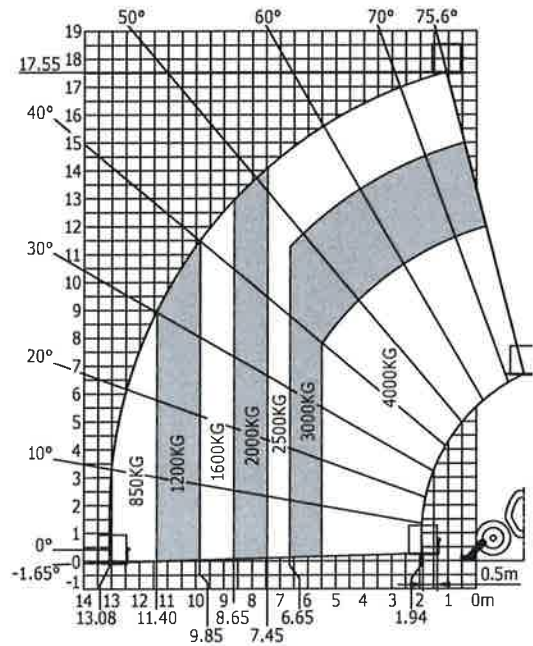
	MT 1840	MT 1840 A	MT 1840 HA
Lifting			
Max. capacity		4000 kg	
Max. lifting height		17.55 m	
Max. outreach		13.08 m	
Break-out-force with bucket (iso 8313)		8150 daN	
Unlading time			
Lifting	16.0 s		14.0 s
Lowering	12.0 s		14.0 s
Extension	16.0 s		19.0 s
Retraction	13.0 s		15.0 s
Crowd	4.0 s		5.0 s
Dump	4.0 s		5.0 s
Tyres			
440 / 80 -24			
Braking			
Service brake	oil immersed multidisc braking on front and rear axles		
Parking brake	automatic negative parking brake		
Engine			
PERKINS - STAGE 4 - FINAL TIER 4			
Type	854F-E34TA		
Power	100 HP / 75 kW		
Max torque	430 Nm		
Injection	electronic		
Cooling	water		
Laden drawbar pull	10300 daN		7300 daN
Transmission			
		torque converter	hydrostatique
Reversing shift	electrohydraulic control		
Number of gears (forward/reverse)	4/4		
Drive wheels	4 wheel drive		
Steering mode	4 wheel steer - 3 steering modes		
Max. travel speed (may vary according to applicable regulations)	25 or 35 kph		
Hydraulics			
Pump	gear type with priority valve 170 l/min – 270 bar		
Capacities			
Hydraulic oil		135 l	
Fuel		140 l	
Unladen weight			
	11 800 kg		12000 kg
Dimensions			
1. Front wheel centre to carriage		2.04 m	
2. Ground clearance		0.42 m	
3. Overall length to carriage		6.27 m	
4. Wheelbase		3.07 m	
5. Rear wheel centre to rear face		1.16 m	
6. Overall width of cab		0.89 m	
7. Inside tyre width		1.96 m	
8. Overall width		2.42 m	
9. Overall width (stabilizers lowered)		3.79 m	
10. Overall height		2.50 m	
Turning radius (over tyres)		4.01 m	
Carriage rotation (crowd / dump)		12° / 114°	
Standard forks (length x width x thickness)		1200 x 125 x 50 mm in standard	
Frame levelling			
JSM * (Multi-function joystick)			
Load limiter cut off system - EN 15000 norm			
ROPS FOPS level II standard cab			
Controls			
Safety			
Noise and vibrations			
Noise at driving position (LpA)		78 dB	
Environmental noise (LwA)		103 dB	
Vibration to whole hand/arm		<2.50 m/s ²	

Rough terrain load chart
Standard EN1459 B

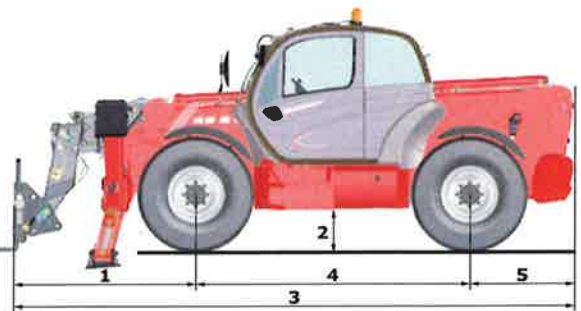
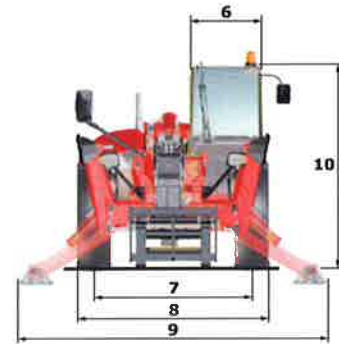
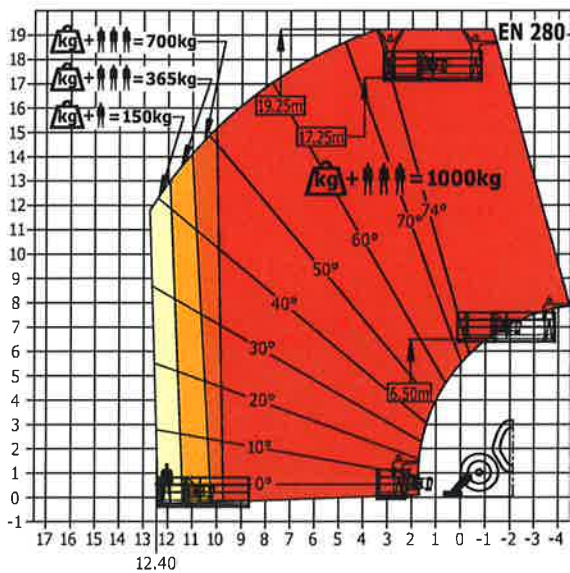
Machine on tyres with forks
LC 500 mm
(with frame levelling)



Machine on stabilizers with forks
LC 500 mm



Machine with platform on stabilizers
(MT 1840 A - HA versions)



This brochure describes versions and configuration options for Manitou products which may be fitted with different equipment. The equipment described in this brochure may be standard, optional or not available depending on version. Manitou reserves the right to change the specifications shown and described at any time and without prior warning. The manufacturer is not liable for the specifications given. For more information, contact your Manitou dealer. Non-contractual document. Product descriptions may differ from actual products. List of specifications is not comprehensive. The logos and visual identity of the company are the property of Manitou and may not be used without authorisation. All rights reserved. The photos and diagrams contained in this brochure are provided for information only.

MANITOU BF SA - Limited company with board of directors - Share capital: 39,547,824 euros - 857 802 508 RCS Nantes